

# Autogard Torque Limiter XG Series



# XG Series - The Mechanical Fuse for Extruders

Twin screw extruders and compounding machines require the very best torque overload protection. The Rexnord® Autogard® XG Series offers features with the specific aim of protecting extruders from damage caused by unexpected torque spikes.

## Features:

- Instantaneous separation of damaging inertias over a pre-set torque level
- Free running after torque overload
- Manual reset without the need of special tooling or replacement parts
- Easy to adjust torque setting on-site, and possible to tamper-proof the setting
- Fast and easy to disconnect motor and gearbox by removing the Wrapflex® element for machine maintenance
- Drop-out options available on every size
- Disengagement sensors available

## XG Series: Size 1 & 2

### Type M

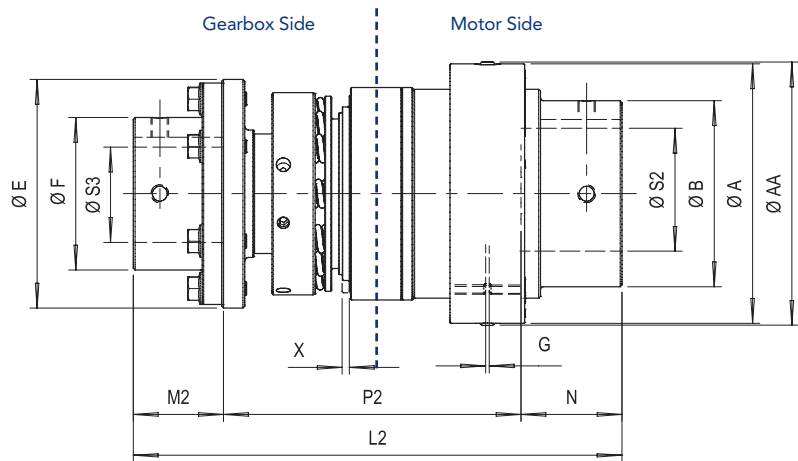
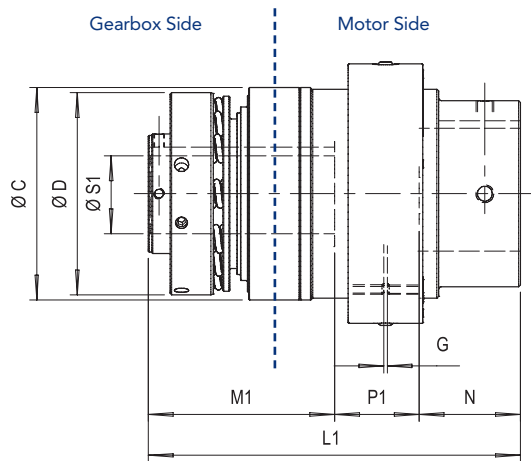
- Shortest possible overall length

### Type R

- Allows for large motor shaft sizes
- Drop-out the torque limiting coupling without moving motor or gearbox

Order format: Model & Size - Type / S1 bore / S2 bore / Spring qty / Torque setting  
For example: XG1-M / S1-40 / S2-55 / 8 / 250

Order format: Model & Size - Type / S2 bore / S3 bore / Spring qty / Torque setting  
For example: XG1-R / S3-55 / S2-55 / 8 / 250



Size	Torque range (Nm)				S1 <sup>Ⓞ</sup>	S2 <sup>Ⓞ</sup>	S3 <sup>Ⓞ</sup>	Max. speed	Type M		Type R		Wrapflex Coupling Size	Max. Misalignment		
	2 Springs	4 Springs	8 Springs	12 Springs	Bore max	Bore max	Bore max		Mass <sup>Ⓞ</sup>	Inertia <sup>Ⓞ</sup>	Mass <sup>Ⓞ</sup>	Inertia <sup>Ⓞ</sup>		Axial	Parallel	Angular
	mm	mm	mm	mm	mm	mm	mm		kg	kg m <sup>2</sup>	kg	kg m <sup>2</sup>		±mm	mm	degrees
1	40 - 80	80 - 160	160 - 330	240 - 500	45	65	61	4500	12.0	0.020	16.1	0.026	30R	0.2	2	1
2	160 - 320	320 - 640	640 - 1200	960 - 1800	65	105	90	3000	37.2	0.15	50.0	0.19	50R	0.5	2	1

Size				Type M					Type R					N	G	X - Stroke on trip
	$\varnothing AA$	$\varnothing A$	$\varnothing B$	$\varnothing C$	$\varnothing D$	L1	M1	P1	$\varnothing E$	$\varnothing F$	L2	M2	P2			
	mm	mm	mm	mm	mm	mm	mm	mm	mm	mm	mm	mm	mm			
1	153	146.5	105	120	114	209.8	105	47.8	129	86	275.8	51	167.8	57	2	3.6 - 4.7
2	239	231	178	164	164	278.8	138	64.8	166	123	395.8	95	224.8	76	5	4.9 - 6.5

Ⓞ Unless otherwise specified, bores will be manufactured with H7 tolerances and keyways will be normal fit as per BS-4235-1

Ⓞ Mass and inertia values are for unbored torque limiters

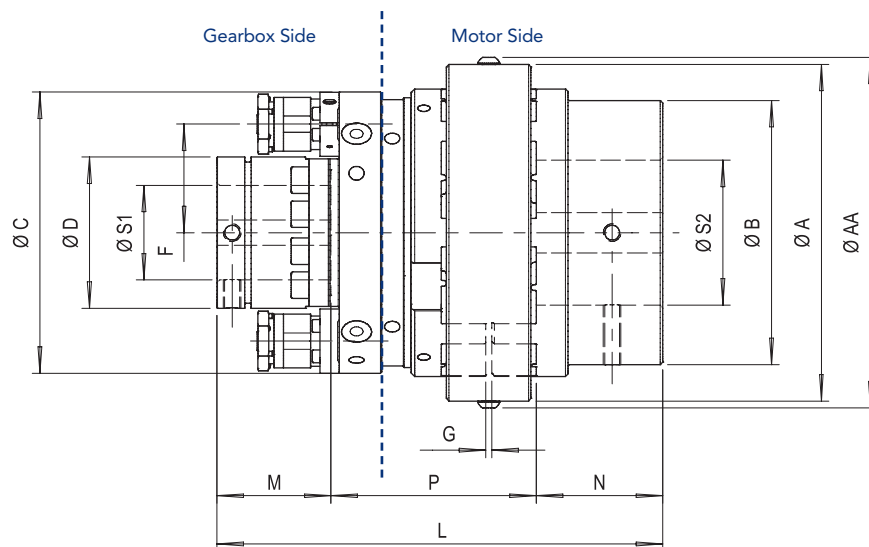


## XG Series: Size 3 & 4

- Drop-out the torque limiting coupling without moving motor or gearbox
- Low maintenance - Torque limiting modules sealed for life

Order format: Model & Size / S1 bore / S2 bore / Spring range / Torque setting

For example: XG4 / S1-90 / S2-140 / HRT / 5800



Size	Low Range Torque Nm	High Range Torque Nm	S1 Bore max ① mm	S2 Bore max ① mm	Module Qty	Max Speed rpm	Mass ② kg	Inertia ② kg m <sup>2</sup>	Wrapflex Coupling Size	Max. Misalignment		
										Axial ±mm	Parallel mm	Angular degrees
3	460 - 1750	720 - 3500	85	135	2	2500	71.6	0.46	60R	0.5	2	1
4	860 - 3450	1725 - 6900	100	160	3	2100	119	1.1	70R	0.5	2	1

Size	ø AA	ø A	ø B	ø C	ø D	F	L	M	N	P	G
	mm	mm	mm	mm	mm	mm	mm	mm	mm	mm	mm
3	278	267	210	233	120	86	353	90	100	163	5
4	321	310	251	277	150	113	408	100	120	188	5

① Unless otherwise specified, bores will be manufactured with H7 tolerances and keyways will be normal fit as per BS-4235-1

② Mass and inertia values are for unbored torque limiters



UK: +44 (0)1285 640333  
Germany: +49 (0)231 82 94 334  
Australia: +61 3 9736 6002

China: +86 021 52436100  
India: +91 040 23078243  
USA: 800-767-3539

[autogard.uk@rexnord.com](mailto:autogard.uk@rexnord.com)

[www.rexnord.com](http://www.rexnord.com)

## Why Choose Rexnord?

When it comes to providing highly engineered products that improve productivity and efficiency for industrial applications worldwide, Rexnord is the most reliable in the industry. Commitment to customer satisfaction and superior value extend across every business function.

### Delivering Lowest Total Cost of Ownership

The highest quality products are designed to help prevent equipment downtime and increase productivity and dependable operation.

### Valuable Expertise

An extensive product offering is accompanied by global sales specialists, customer service and maintenance support teams, available anytime.

### Solutions to Enhance Ease of Doing Business

Commitment to operational excellence ensures the right products at the right place at the right time.

# REXNORD

## Rexnord Company Overview

Rexnord is a growth-oriented, multi-platform industrial company with leading market shares and highly trusted brands that serve a diverse array of global end markets.

## Process & Motion Control

The Rexnord Process & Motion Control platform designs, manufactures, markets and services specified, highly engineered mechanical components used within complex systems where our customers' reliability requirements and the cost of failure or downtime are extremely high.

## Water Management

The Rexnord Water Management platform designs, procures, manufactures and markets products that provide and enhance water quality, safety, flow control and conservation.